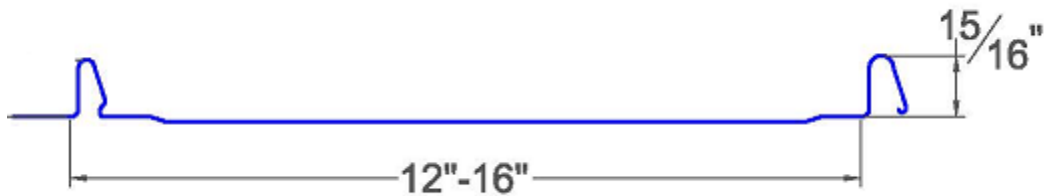




Alaska's Largest Manufacturer of Commercial and Residential Steel Building Components

1" Snap Seam - Panel



Great for lower slopes and longer runs.
The concealed slotted fastener flange eliminates expansion and contraction issues. Simplicity at its finest, concealed fastener snap together roofing design installs without clips or seaming equipment.

Weight:

26ga = 1.13 lb. /LF

24ga = 1.40 lb. /LF

Steel Yield Stress: 50,000 psi Galvanized

Steel Gauge, G90 or AZ50

26ga Paint System: Cool XT-40 Baked-on Silicone Modified Polyester

Gauging System: ALL STEEL inc. follows the national A.I.S.I. specifications manual for tolerances in galvanized sheet metal.

24ga Paint System: Cool Kynar 500 premium finishes or Flurobond high definition coating.

1" Snap Seam

ARCHITECTURAL ROOFING

Width - 12.56 in

Alloy - ASTM A792, G50 (**Fy**=50 ksi)

Gauge - 24 (0.024 in)

	SPAN	DEFLECTION	SPAN LOAD (FEET)								
			2.00	2.25	2.50	2.75	3.00	3.25	3.50	3.75	4.00
1	L/180		82	65	52	43	36	30	26	22	19
	L/240		82	65	52	43	35	27	22	18	15
	L/360		78	55	40	30	23	18	15	12	10
2	L/180		82	65	52	43	36	30	26	22	20
	L/240		82	65	52	43	36	30	26	22	20
	L/360		82	65	52	42	33	26	21	17	14
3	L/180		95	75	61	50	42	35	30	26	23
	L/240		95	75	61	50	42	35	30	26	23
	L/360		95	75	61	50	42	34	27	22	18

Note: If panels are to be cut, or pre-drilled, be certain to wipe free any metal chips that have accumulated on the panel.






ALL STEEL Inc. is neither partially nor solely responsible for improper installation or defects as a result of installation.

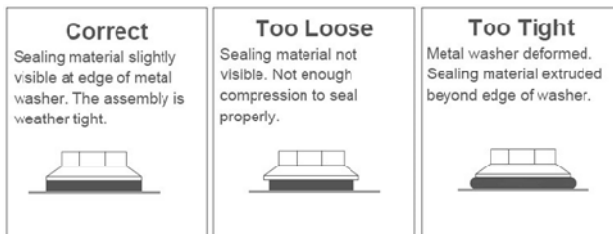
FASTENING

Screw fasteners have been proved to have two to three times the holding power of nails. Screws should have a minimum penetration of 5/8" into wood. Generally, #10 x 1" Pancake Head screw fasteners are used for concealed fastener panels. 1" Snap Seam panels are fastened through pre-punched slots in the lower lap screw flange. 1.75" Thin Seam and 2" Mechanical Seam panels are attached with their respective clips, 2 screws per clip. Bearing plates are used under clips when installing panels over rigid insulation.

Nails are not recommended!

The use of nails to fasten panels is NOT recommended and will void any warranty

FASTENER#	DESCRIPTION	USE
1.	 No. 8 x 1" Modified Truss Head Wood Screw	Panel to wood deck or trim to wood attachments (unexposed)
2.	 No. 12 x 3/4" Stitch Screw	Panel to panel or trim to panel attachments. May be used as an alternative to blind rivets
3.	 No. 14 x 1" Metal-Wood	Panel to wood deck at valleys, eave start panel at gable attachments, and endlaps (exposed)
4.	 STST-42 Stainless Steel Rivet 1/8" x 1/8"	Trim to trim attachments (lapped joints)
5.	 No. 10-12x1" Pancake Head Wood Screw	Use when fastening panel to wood deck for increased wind uplift resistance (unexposed)



DO NOT OVERDRIVE Exposed fasteners so as to dimple or distort the panel accessories.

Washers should be in firm contact with the panel.

1974 Livengood Ave
Fairbanks, AK 99701
&
690 S. Dandelion Cir.
Wasilla, AK 99654
907-479-6002
allsteel.info@gmail.com
www.stealsthedeal.com