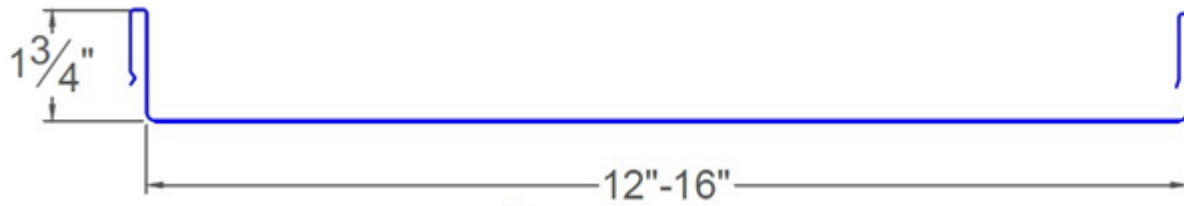




Alaska's Largest Manufacturer of Commercial and Residential Steel Building Components

1-3/4" Snap Seam



The look of mechanically seamed panels without the hassle of seaming tools. This panel is attached with clips that screw to the building then simply snap the next panel over the previous. Great for low slopes and long runs the clips provide nearly unlimited thermal movement.

All Steel's **24** and **22** gauge panels are finished with a specialized Polyvinylidene Fluoride (PVDF) / **Kynar** paint system on an G90 or AZ50 substrate.

PVDF paints are developed using ceramic pigments combined with fluoropolymer resins to create high end coatings for metals. PVDF pre-painted steel has been the go-to product for architects and designers around the world to achieve beautiful, vibrant colors with the added benefits of flexibility, durability, and low maintenance. PVDF pre-painted steel is best suited for high-end applications such as commercial or residential roofing, pre-engineered buildings, architectural wall panels, and other applications where durability and long-lasting performance are required.

ALL STEEL INC. follows the national A.I.S.I. (American Iron and Steel Institute) specifications manual for tolerances in galvanized sheet metal

Gauge	Grade	Paint	Weight			
			1.75" Snap Seam - 16"		1.75" Snap Seam - 12"	
24	50	Kynar	2.10 lb/LF	158 lb/SQ	1.72 lb/LF	172 lb/SQ
22	50	Kynar	2.59 lb/LF	194 lb/SQ	2.12 lb/LF	212 lb/SQ

Span (ft)	Live Load (Strength) psf					Wind Uplift Load (Internal Pressure) psf				
	2.5'	3'	3.5'	4'	5'	2'	2.5'	3'	3.5'	4'
24 GA - single	166	115	85	65	42					
24 GA - 2 span	145	101	74	57	36					
24 GA - 3 span	181	126	92	71	45	87	74	61	58	55
24 GA - 4 span	169	117	86	66	42					

Span (ft)	Live Load (Strength) psf					Wind Uplift Load (Internal Pressure) psf				
	2.5'	3'	3.5'	4'	5'	2'	2.5'	3'	3.5'	4'
22 GA - single	200	151	111	85	55					
22 GA - 2 span	191	133	97	75	48					
22 GA - 3 span	200	166	122	93	60	140	119	104	96	94
22 GA - 4 span	200	155	114	87	56					

1 1/2" Bearing Length

Load Span Tables Based on Working Stress.

Continuous Span Loading applies to sheets continuous over three or more spans. Weight of sheet has not been allowed for when calculating live load and uplift. Deflection (L/180) limiting live load based on deflection of span.

Metal thickness based on minimum ASTM specifications for allowable load calculations.

Wind Uplift Loads in accordance to ASTM E-1592. Use factor of safety for Design Loads.

Note: The load tables have been compiled for the design of steel roofing and siding used in conjunction with either wood or steel framed structures. ALL STEEL INC. assumes no responsibility, either expressed or implied, for its use.






All gauges conform to ASTM A446 Grade 50 (50,000 min. yield) unless otherwise designated at time of order.

FASTENING

Screw fasteners have been proved to have two to three times the holding power of nails. Screws should have a minimum penetration of 5/8" into wood. Generally, #10 x 1" Pancake Head screw fasteners are used for concealed fastener panels. 1" Snap Seam panels are fastened through pre-punched slots in the lower lap screw flange. 1.75" Thin Seam and 2" Mechanical Seam panels are attached with their respective clips, 2 screws per clip. Bearing plates are used under clips when installing panels over rigid insulation.

Nails are not recommended!

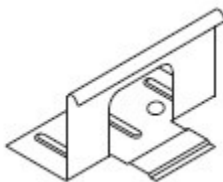
The use of nails to fasten panels is NOT recommended and will void any warranty.

FASTENER#	DESCRIPTION	USE
1.	 No. 8 x 1" Modified Truss Head Wood Screw	Panel to wood deck or trim to wood attachments (unexposed)
2.	 No. 12 x 3/4" Stitch Screw	Panel to panel or trim to panel attachments. May be used as an alternative to blind rivets
3.	 No. 14 x 1" Metal-Wood	Panel to wood deck at valleys, eave start panel at gable attachments, and endlaps (exposed)
4.	 STST-42 Stainless Steel Rivet 1/8" x 1/8"	Trim to trim attachments (lapped joints)
5.	 No. 10-12x1" Pancake Head Wood Screw	Use when fastening panel to wood deck for increased wind uplift resistance (unexposed)

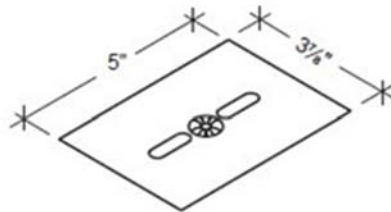


DO NOT OVERDRIVE Exposed fasteners so as to dimple or distort the panel accessories. Washers should be in firm contact with the panel.

1.75" Snap Seam



CLIP



BEARING PLATE

1974 Livengood Ave
Fairbanks, AK 99701

&

690 S. Dandelion Cir.
Wasilla, AK 99654

907-479-6002

allsteel.info@gmail.com

www.stealsthedeal.com